

# PFEIFER



03/2019

## PFEIFER solutions for precast parking garages

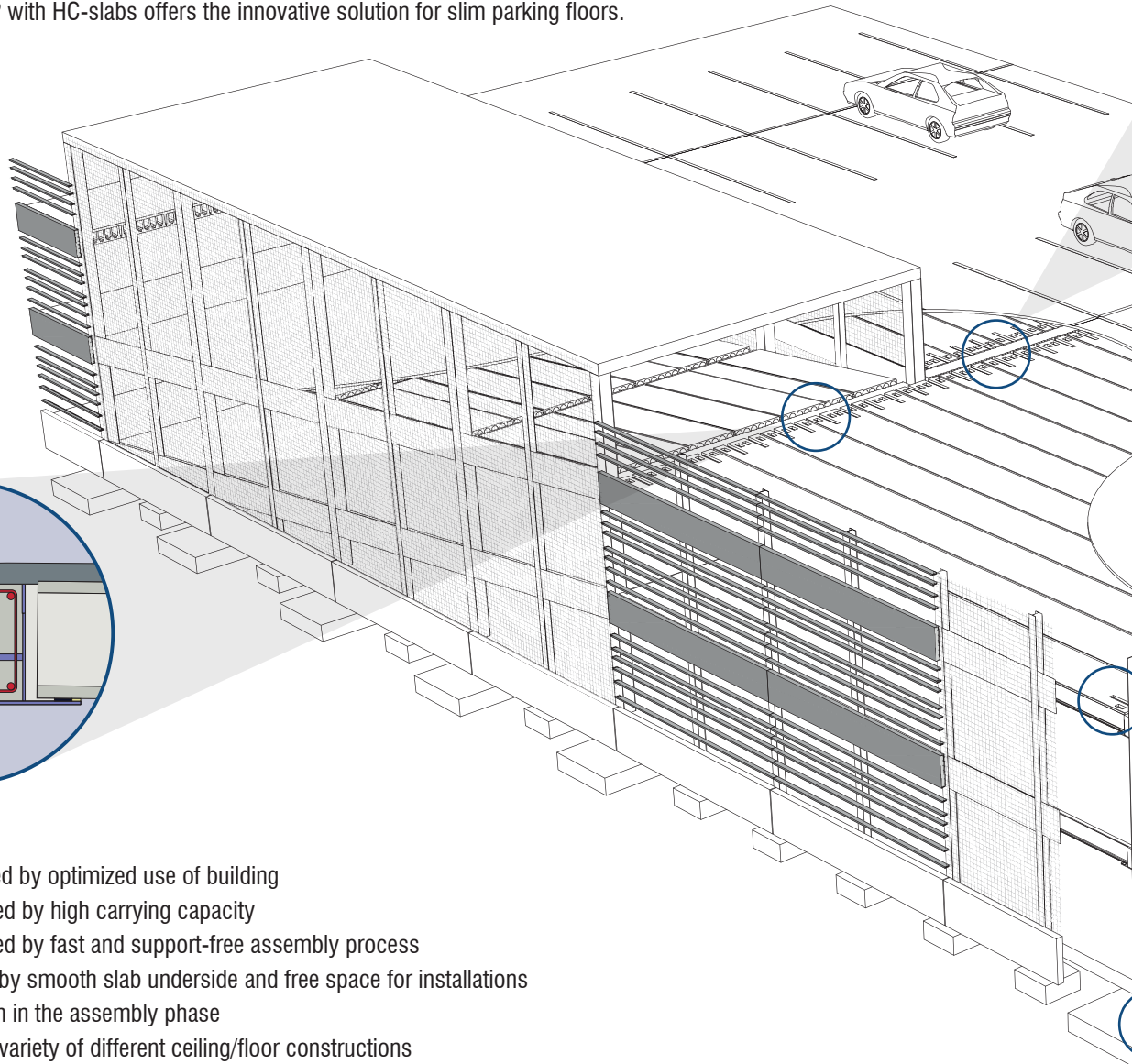
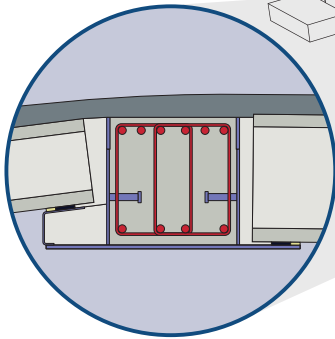
**PFEIFER  
SEIL- UND HEBETECHNIK  
GMBH**

DR.-KARL-LENZ-STRASSE 66  
DE-87700 MEMMINGEN  
TELEFON +49 (0)8331-937-290  
TELEFAX +49 (0)8331-937-342  
E-MAIL [bautechnik@pfeifer.de](mailto:bautechnik@pfeifer.de)  
INTERNET [www.pfeifer.info](http://www.pfeifer.info)

# Parking garages with PFEIFER Hybridbeam® and HC-slabs

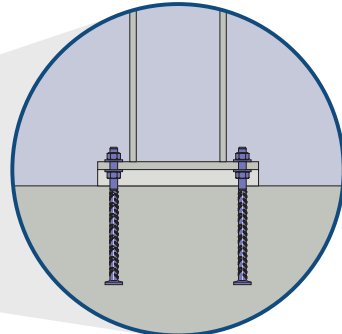
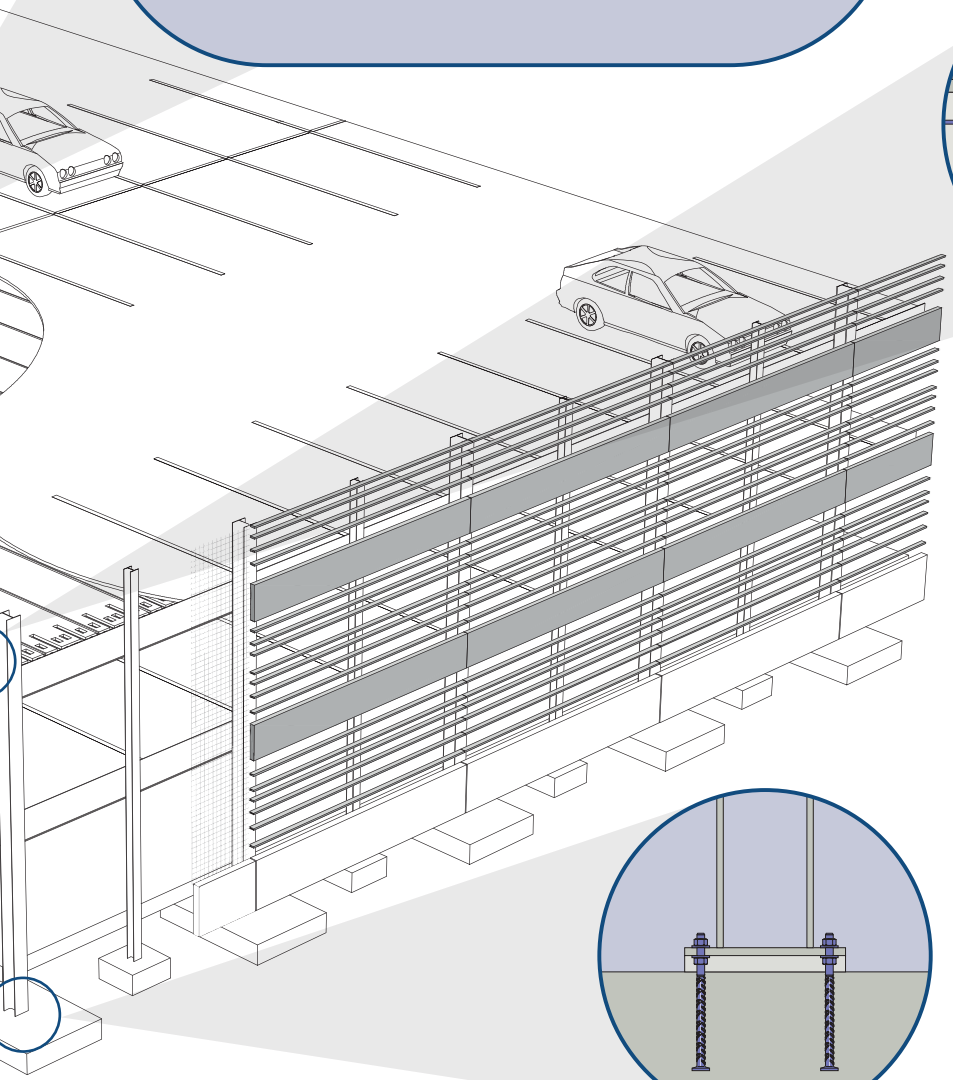
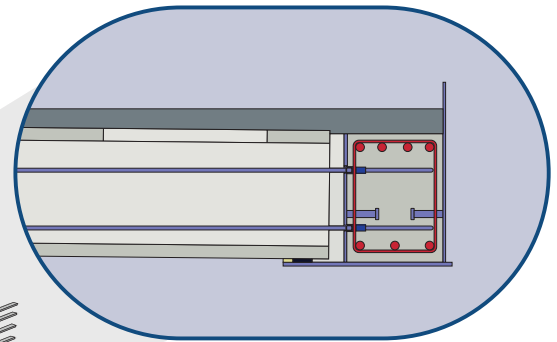
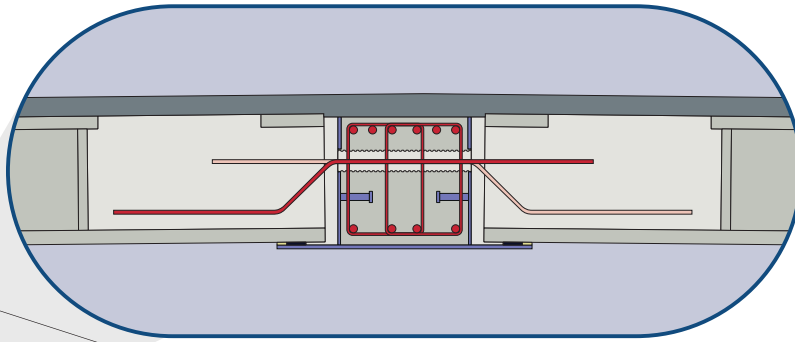
PFEIFER Hybridbeams® with HC-slabs offers the innovative solution for slim parking floors.

Parking garages with PFEIFER Hybridbeam® and HC-slabs



## Hybridbeam®

- Economy achieved by optimized use of building
- Efficiency achieved by high carrying capacity
- Efficiency achieved by fast and support-free assembly process
- Flexibility offered by smooth slab underside and free space for installations
- Minimal deflection in the assembly phase
- Can be used in a variety of different ceiling/floor constructions
- Safety guaranteed by country-specific approvals and certificates
- High torsional and bending stiffness achieved during assembly



## PH System

- High-performance reinforcement continuity system
- Reliable load transmission through screw connections
- Planned construction sections without protruding bars – no risk of accident
- Can also be used in earthquake regions
- German approval

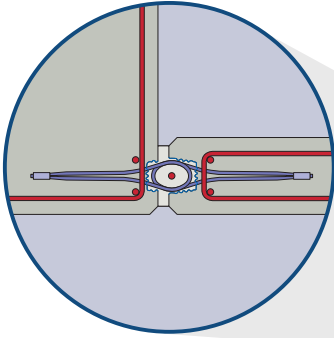
## Foundation Anchor PGS

- Rigid connection of precast elements
- Immediate load-bearing screw connections mean no delay
- Efficient assembly process without supports
- Column adjustable under load
- Column – column connection

# Parking garages with precast elements

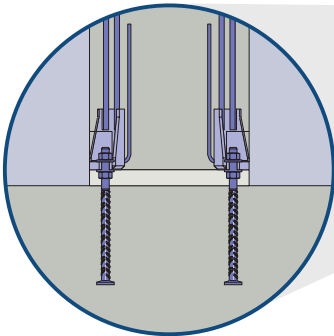
PFEIFER offers elegant and efficient solutions for parking garages with precast elements.

Parking garages with precast elements



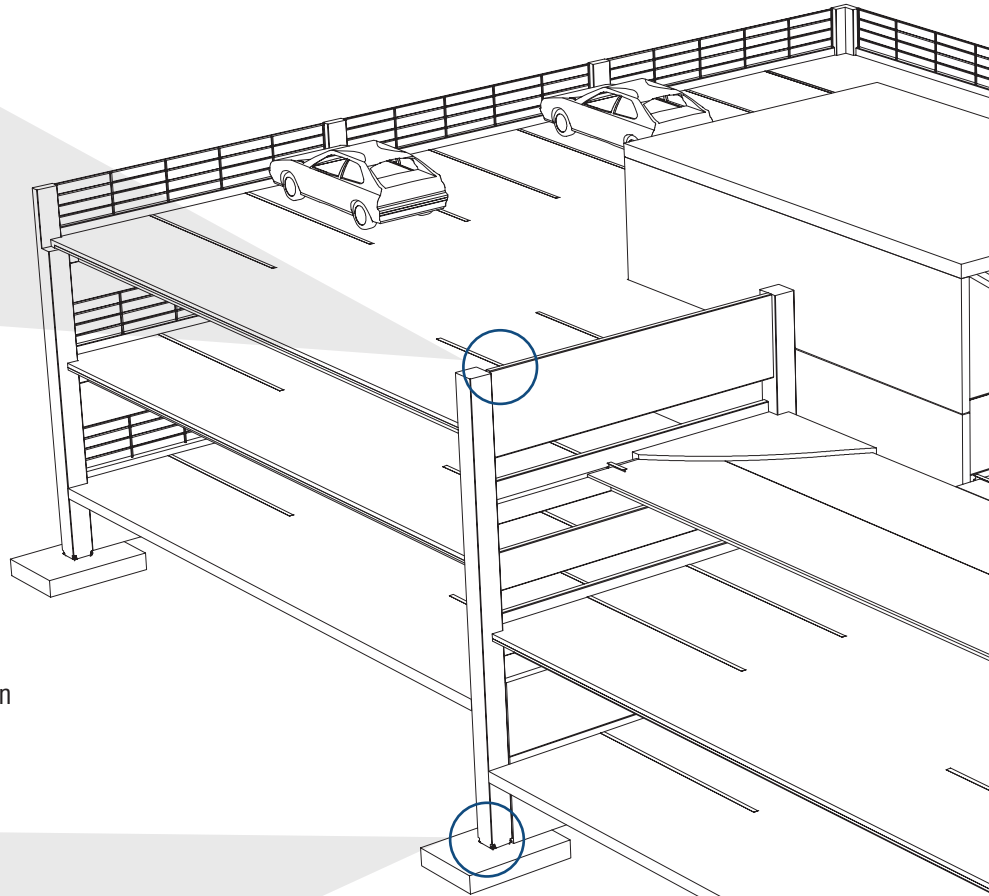
## VS® Systems

- Efficient wire rope loop system for the connection of a wall
- No direction-bound installation of the rails and bars
- Saving of assembly time through high degree of prefabrication
- German approval
- Case-related positioning of boxes
- Optimum profile for optimum connection
- Low mortar consumption



## Column Shoe System – Column Shoe PCC

- Rigid connection of precast elements
- Immediate load-bearing screw connections mean no delay
- Efficient assembly process without supports
- Column adjustable under load
- Column – column connection

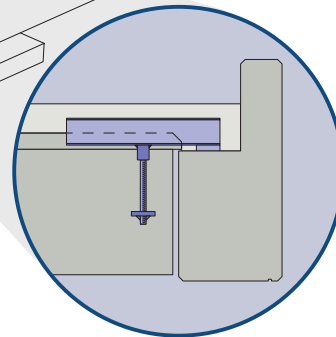
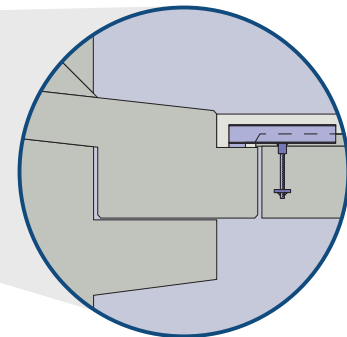
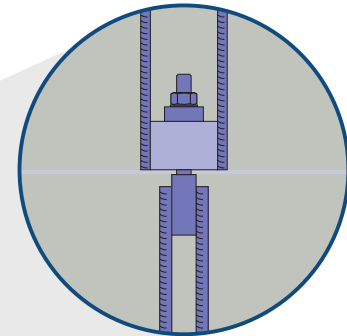




## Wall Shoe PWS

- Complete system for the transmission of tensile and shear forces
- Secure screw connection with foundation anchors
- Flexible tolerance ranges
- High safety standard guaranteed by industrial prefabrication
- Usable even from the smallest of wall thicknesses

**PFEIFER**



## Steel Bearing PS-A

- Secure support of the beams
- Low load eccentricity
- Bearing ledges and dowels for securing the position are no longer required
- Saving of construction costs and time through high degree of prefabrication
- Low load eccentricity
- German approval

# Realizations



**Parking garage of shopping mall Echo, Kielce, Poland**



**Industrial building, Wolomin, Poland**



**Shopping mall Mlociny, Warsaw, Poland**



**Gallery Jurand, Szcztyno, Poland**

# PFEIFER



The contact details of our locations and sales partners can be found at



[www.pfeifer.info/contacts-cls](http://www.pfeifer.info/contacts-cls)

We look forward to hearing from you!

**PFEIFER  
SEIL- UND HEBETECHNIK  
GMBH**

DR.-KARL-LENZ-STRASSE 66  
DE-87700 MEMMINGEN  
TELEFON +49 (0)8331-937-290  
TELEFAX +49 (0)8331-937-342  
E-MAIL [bautechnik@pfeifer.de](mailto:bautechnik@pfeifer.de)  
INTERNET [www.pfeifer.info](http://www.pfeifer.info)

This document loses its validity with the release of a new edition at [www.pfeifer.info](http://www.pfeifer.info)