



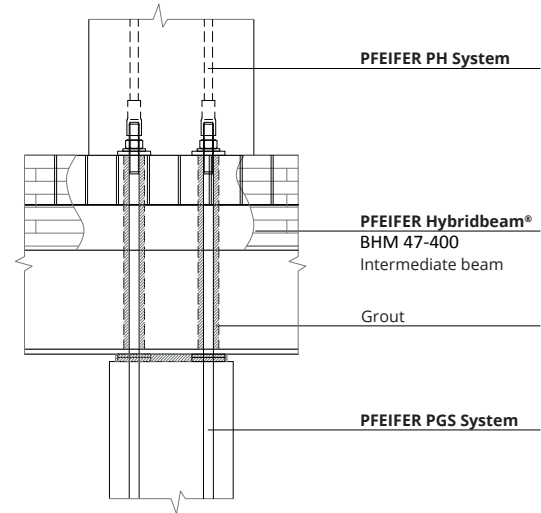
Office building OSG Lienz

Slim floor construction with PFEIFER Hybridbeam®

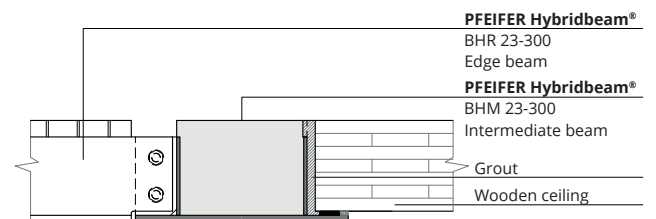
PFEIFER



Hybridbeam® BHM bearing



Hybridbeam® BHM + BHR bearing



Office building OSG Lienz

Owner Osttiroler gemeinnützige
Wohnungs- und Siedlungs-
genossenschaft
reg.Gen.m.b.H

Architect Machné & Glanzl Zt GmbH

Main contractor BODNER BAU

Load-bearing system

- Hybridbeam length 1.1–11.50 m
- length of wooden ceiling 5.4 m
- steel beam

Load

- dead load 5.00 kN/m²
- live load 4.00 kN/m²

Construction time 2020–2021

Height of the building 12.50 m

Floor space 1782 m²

Floors 3+1

Ecological solutions

- For this project wooden ceilings are used which were supported by PFEIFER Hybridbeam®.
- For the completion of the office building wood was used as well which emphasizes the natural character of the surrounding area.

By courtesy of OSG Lienz for allowing to use the photos.



JORDAHL & PFEIFER
Technika Budowlana Sp. z o.o.
ul. Wrocławska 68
55-330 Krępiec k/Wrocławia
tel. +48 71 30 23 300

hybridbeam@pfeifer.pl
www.hybridbem.eu/en

PFEIFER

08.2022